

AJX-66

Project _____
 Item _____
 Quantity _____
 CSI Section 11400
 Approval _____
 Date _____

AJX-66

Models

AJX-66



Standard Features

- 25" clearance accommodates larger wares, such as sheet pans, mixing bowls, etc.
- Exclusive EnergyGuard™ controls
- Fully automatic, including auto-fill
- Electromechanical controls
- Adjust-A-Peak™ adjustable conveyor speed allows machine to extend wash time and rinse contact for heavy soil conditions
- Self-draining stainless steel wash pump
- Stainless steel scrap baskets
- Splash shields
- Front dress panel
- Externally operated drain lever
- Adjustable bullet feet
- Stainless steel frame and legs
- Exhaust vent fan control
- 18kW wash tank heater

Mandatory Specs

Specify:

Specify Voltage _____

Specify Sanitizing Method:

- High Temperature
 Chemical Sanitizing

Specify Direction of Operation:

- Left to Right
 Right to Left

Options & Accessories

- Booster Heater
 40° F (22.2° C) Rise - 17kW
 70° F (38.9° C) Rise - 30kW
- 23" (584 mm) Unhooded Side Loader
 23" (584 mm) Hooded Side Loader
 30" (762 mm) Unhooded Side Loader
 30" (762 mm) Hooded Side Loader
- 1/2" Pressure Regulator
 Flanged Feet
 Blower Dryer
 Vent Cowl Collars (set of 2)
 Prison Package
- Drain Water Tempering Kit
 Scaltrol
 Water Hammer Arrestor
 Strikeplate Table Limit Switch
 36-Compartment Rack
 4-1/8" tall (105 mm)
 5-5/8" tall (143 mm)
 7" tall (178 mm)
 Combination Rack
 Peg Rack
 Sheet Pan Rack

Specifications

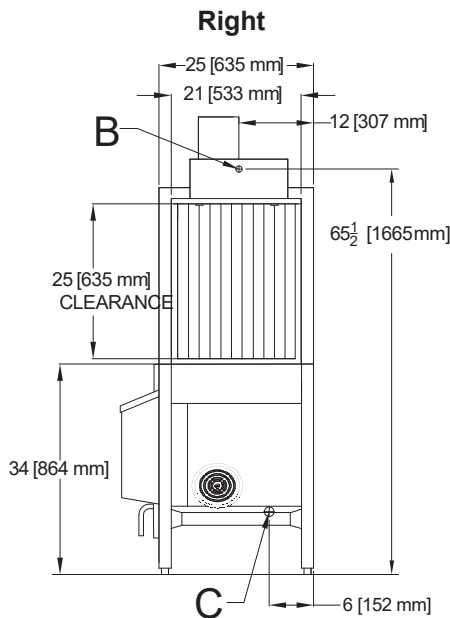
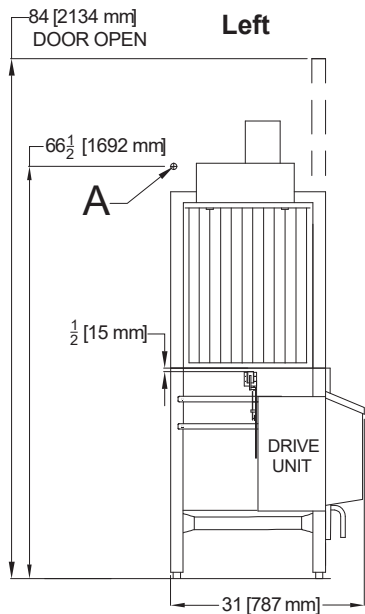
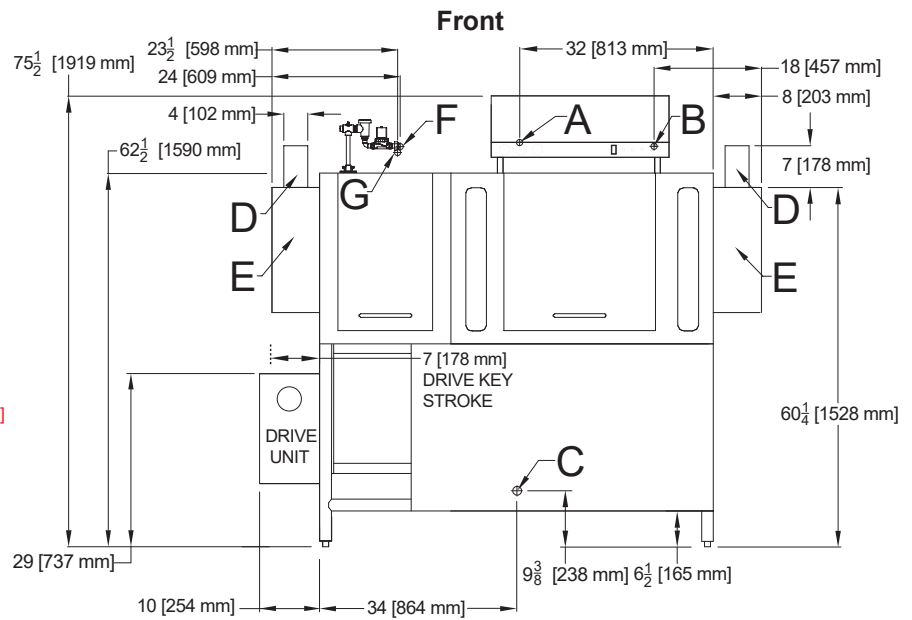
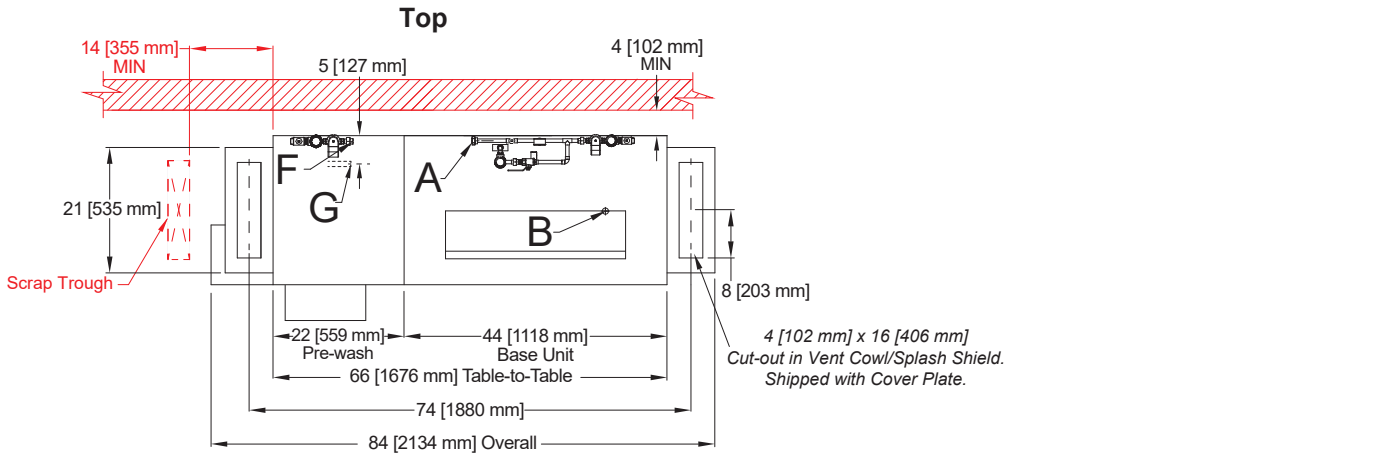
- High-temperature model uses 0.68 gallons (2.57 liters) per rack. Chemical-sanitizing model uses 0.78 gallons (2.95 liters) per rack
- High-temperature model cleans 225 racks per hour. Chemical-sanitizing model cleans 209 racks per hour
- 22" (559 mm) pre-wash section has 2 upper and 1 lower pre-wash arms
- 8" (203 mm) splash shields on both wash and rinse ends
- 25" (635 mm) chamber height clearance accommodates larger wares
- 18" (457 mm) wash section with an 18" (457 mm) separation between wash and rinse
- Durable stainless steel construction
- 1-year parts and labor warranty



Intertek

AJX-66

Left to Right

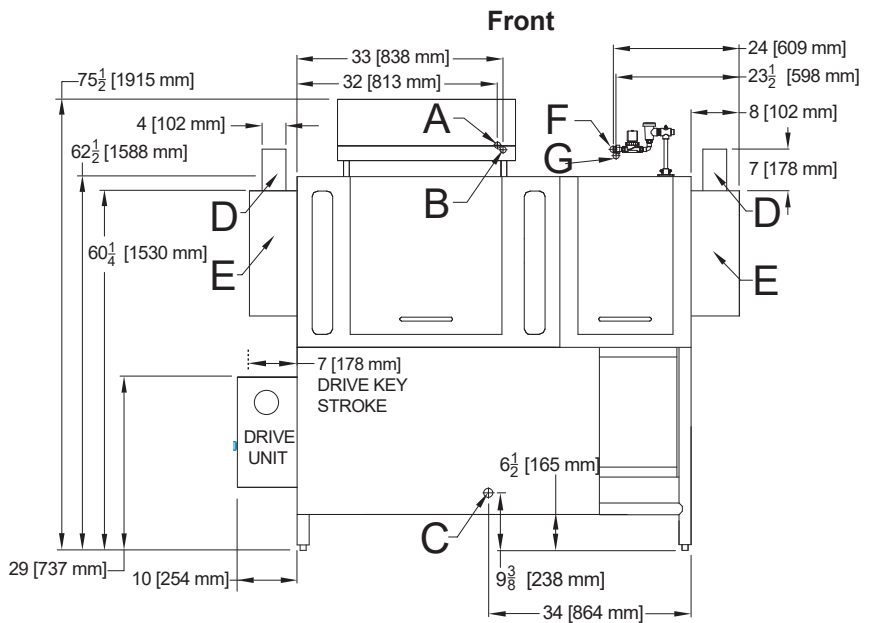
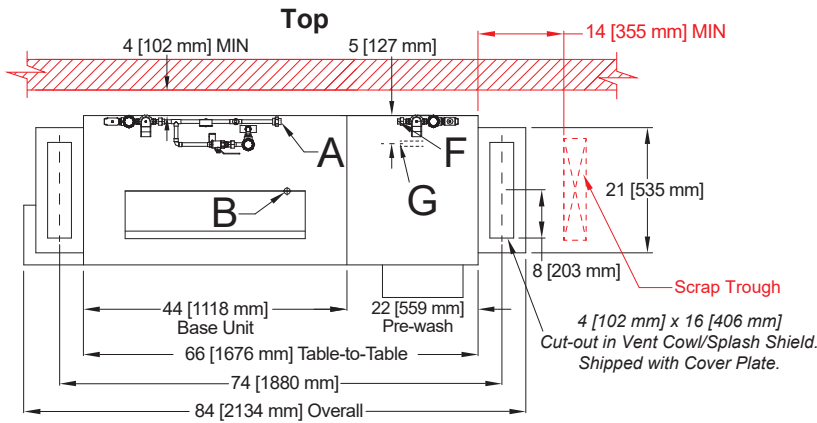


LEGEND

- A - Water Inlet (3/4" NPT, 110-140 °F MIN)
- B - Electrical Connection
- C - Drain Connection (1 1/2" NPT)
- D - Vent Collar - Optional
- E - Vent Cowl - Standard
- F - Pre-wash Water Inlet (3/4" NPT, 110-140 °F)
- G - Cold Water Thermostat - Optional (3/4" NPT)

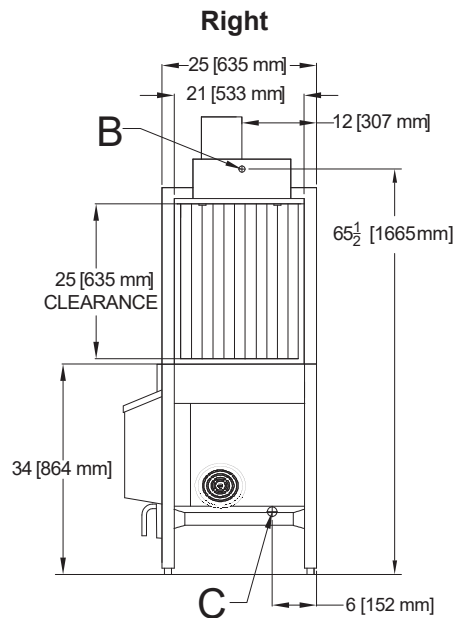
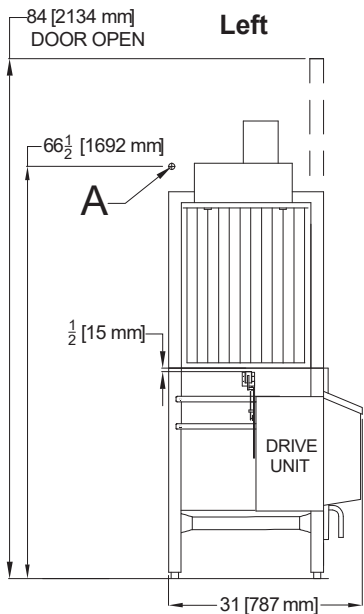
All dimensions from the floor can be increased 1" using the machine's adjustable feet.

Items in red are not supplied with the machine.



Machine Drain Line
1 1/2 [38 mm] MIN, Must NOT Be Reduced.
Pitch 1/4 [6 mm] per ft. 1 1/2 [38 mm] MIN Air-gap

Must Install Machine Drain Line above 3 [76 mm] MIN Floor Drain or Sink



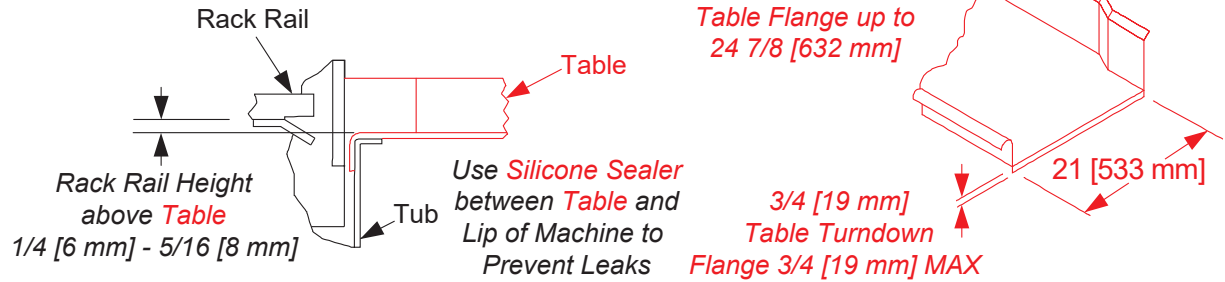
LEGEND

- A - Water Inlet (3/4" NPT, 110-140 °F MIN)
- B - Electrical Connection
- C - Drain Connection (1 1/2" NPT)
- D - Vent Collar - Optional
- E - Vent Cowl - Standard
- F - Pre-wash Water Inlet (3/4" NPT, 110-140 °F)
- G - Cold Water Thermostat - Optional (3/4" NPT)

All dimensions from the floor can be increased 1" using the machine's adjustable feet.

Items in red are not supplied with the machine.

Recommended Table Fabrication



MODEL NO.	MACHINE DIMENSIONS					DRAIN HEIGHT	SHIPPING INFORMATION					
	HEIGHT	HEIGHT WITH DOOR OPEN	LENGTH BETWEEN DISHTABLES	DEPTH	WEIGHT		CLASS	CUBE	HEIGHT	WIDTH	DEPTH	
AJX-66	75-1/2" (1919 mm)	84" (2134 mm)	66" (1676 mm)	31" (787 mm)	10-1/4" (260 mm)	1000 lbs (454 kg)	200	173.33 cu. ft.	78" (1982 mm)	96" (2439 mm)	40" (1016 mm)	

DIMENSION REQUIREMENTS	
Wall Clearance (minimum)	4-1/2" (114 mm)
Standard Table Height	34" (864 mm)
Inside Clearance	25" (635 mm)

ELECTRICAL REQUIREMENTS				
Model	Power Supply	Total Load	Minimum Circuit Ampacity	Maximum Overcurrent Protection
AJX-66CE/CEL	208/60/3	60.3 A	61.7 A	65 A
	230/60/3	51.5 A	52.9 A	55 A
	460/60/3	25.7 A	26.5 A	30 A
	600/60/3	21.9 A	22.5 A	25 A
	208/60/1	102.7 A	104.9 A	110 A
	230/60/1	89.3 A	91.7 A	100 A

OPERATING CAPACITY		
	High-Temperature	Chemical Sanitizing
Racks per Hour	225	209

BOOSTER HEATER OPTIONS				
	40 °F (22.2 °C) Minimum Rise		70 °F (38.9 °C) Minimum Rise	
	kW	AMPS	kW	AMPS
208V/60HZ/3PH	17.2	47.8	30	83.4
230V/60HZ/3PH	18	45.2	30	75.4
460V/60HZ/3PH	18	22.6	30	37.7

OPERATING TEMPERATURES		
	High-Temperature	Chemical Sanitizing
Pre-wash	110-140 °F (43-60 °C)	110-140 °F (43-60 °C)
Wash (minimum)	160 °F (71 °C)	140 °F (60 °C)
Rinse (minimum)	180 °F (82 °C)	140 °F (60 °C)

PUMP MOTORS	
Pre-wash Pump Motor	1 hp
Wash Pump Motor	2 hp
Pre-wash Pump Capacity	120 GPM (454 LPM)
Wash Pump Capacity	270 GPM (1022 LPM)

WATER REQUIREMENTS	
Inlet Temperature (minimum)	
With 40 °F (22.2 °C) Rise Booster Heater	140 °F (60 °C)
With 70 °F (38.9 °C) Rise Booster Heater	110 °F (43 °C)
Gallons per Hour - High-Temperature	153 gal (579 L)
Gallons per Hour - Chemical Sanitizing	163 gal (617 L)
Gallons per Rack - High-Temperature	0.68 gal (2.6 L)
Gallons per Rack - Chemical Sanitizing	0.78 gal (3.0 L)
Waterline Size IPS (minimum)	1/2"
Drainline Size IPS (minimum)	1-1/2"
Flow Pressure (PSI)	15
Flow Rate (minimum) - High -Temperature	2.6 GPM (9.8 LPM)
Flow Rate (minimum) - Chemical Sanitizing	2.7 GPM (10.2 LPM)
Pre-wash Tank Capacity	17.25 gal (65.3 L)
Wash Tank Capacity	21 gal (79.5 L)

CONVEYOR	
Conveyor Motor	1/4 hp
Conveyor Speed (feet per minute highest speed)	
High-Temperature	6.2 FPM (1.9 MPM)
Chemical Sanitizing	5.75 FPM (1.75 MPM)

VENTING REQUIREMENTS			
	Input End	Output End	Total CFM
	200 CFM	400 CFM	600 CFM

HOW TO SPECIFY: AJX-66

Jackson WWS, Inc.

Shipping Address: 6209 North U.S. Highway 25E, Gray, KY 40734
 Mailing Address: P.O. Box 1060, Barbourville, KY 40906
 Telephone: 888-800-5672 • Fax: 606-523-1799
 Email: info@jacksonwws.com
 07610-003-78-21 [01/21/21]

www.jacksonwws.com